

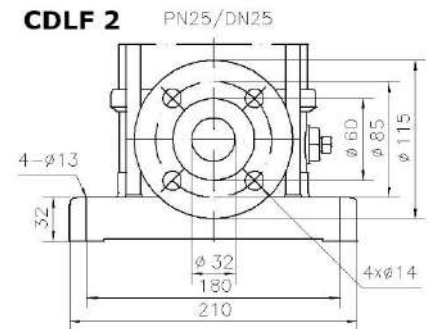
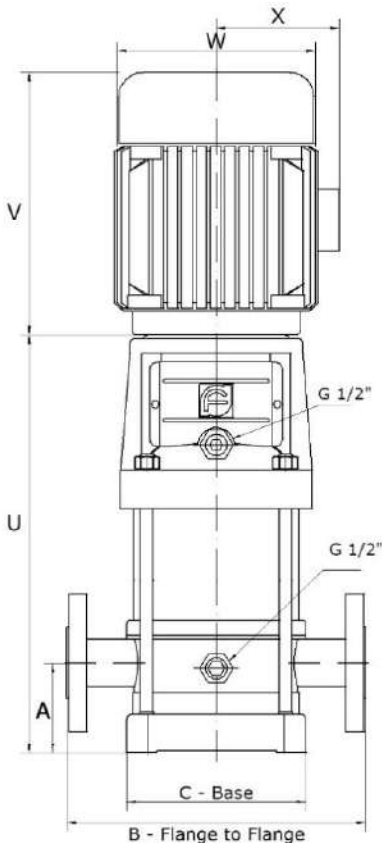
CDLF2 50Hz 2900rpm

Model		Item Code	P2 Shaft kW	Input Voltage	Full Load Current	Cap uF	Inlet / Outlet	Max Flow	Max Head
CNP CDLF 2-9	M	600144	1.1	1ph 240V	6.38A	30	PN25 / DN25	58lpm	88m
CNP CDLF 2-13	M	600143	1.5		8.08A				
CNP CDLF 2-18	M	701200	2.2		12.0A	40			Dia 32
CNP CDLF 2-18	T	701201		3Ph 415V Λ	4.25A	3Ph 240V Δ	175m		

Construction materials

Pump base and Motor support	Cast Iron
Motor coupling	Carbon Steel
Shaft support bearings	Tungsten Carbide
Mechanical seal	Silicon Carbide/Carbon/EPDM
Suction and discharge casing, Pump shaft, Outer sleeve, Impeller sleeve, Impellers	304 S/S

Liquid temp: -15° to 70°C Max Ambient temp: 1Ph 45°C 3Ph 40°C Insulation Class F IP55
Max pump pressure: 25 bar

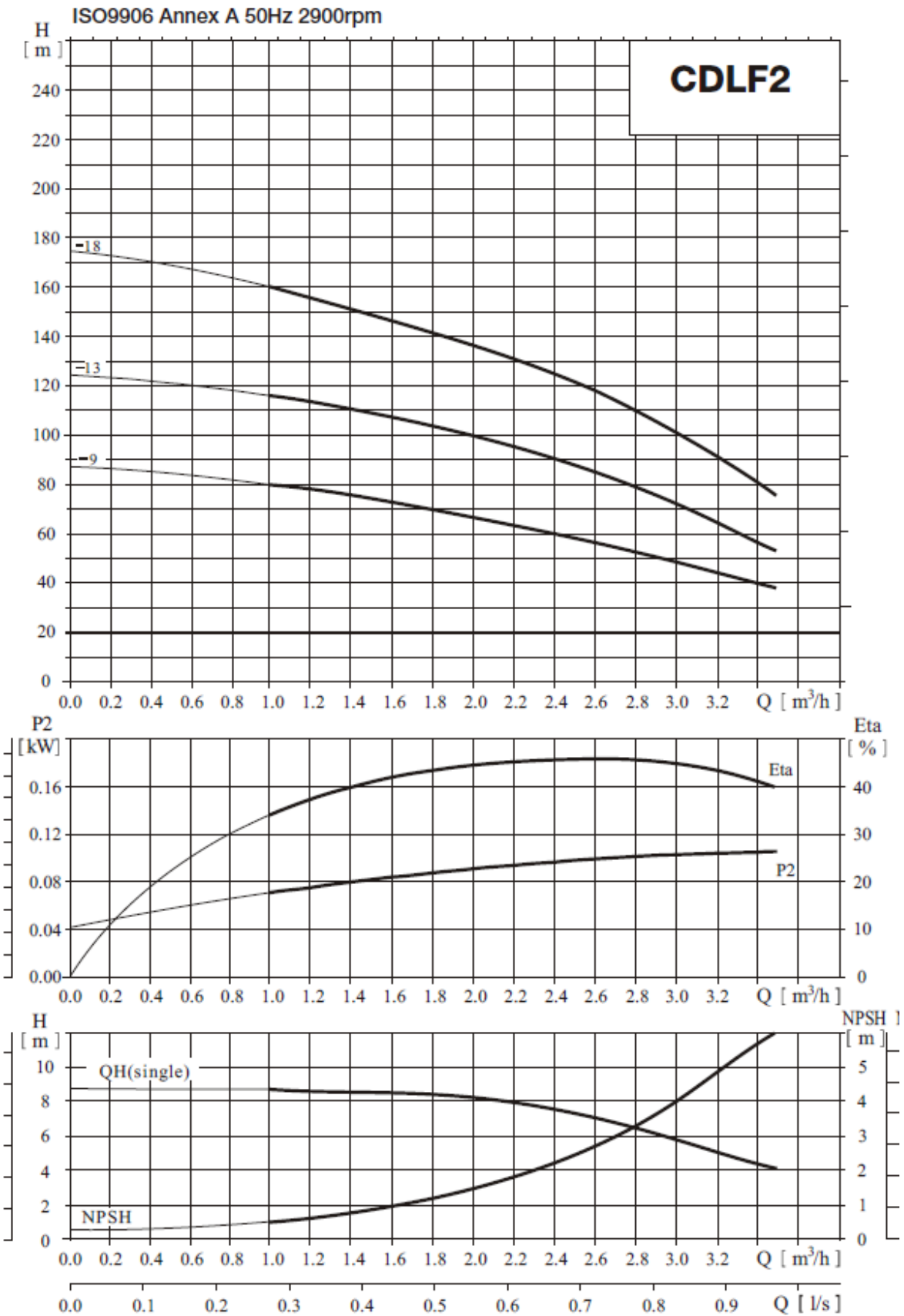


	U	V	W	X
CNP CDLF 2-9	369	245	170	142
CNP CDLF 2-13	476	290	190	155
CNP CDLF 2-18	566	290	190	155

Note: Motor Dimensions may vary

Model	Footing	Flange	Centre Height A	Flange to Flange B	Base Length C	Base Width D
CNP CDLF 2 - 9	180 W	Φ115	75mm	250mm	150mm	210mm
CNP CDLF 2 - 13	X	4 x Φ18				
CNP CDLF 2 - 18	100 L	100 PCD				
	4 x Φ13mm					

CDLF2 50Hz 2900rpm



CDLF2 50Hz 2900rpm

